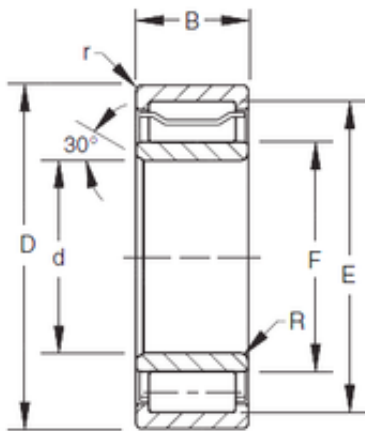


Weight TIMKEN A-5228-WS A5200 Metric Cylindrical Roller Radial Bearing

Bearing No. A-5228-WS



A-5228-WS Bearing 2D drawings and 3D CAD models

Bore Diameter	140 mm
Outer Diameter	232 mm
d	140 mm
F	165 mm
D	250 mm
E	232 mm
B	82,55 mm
C	82,55 mm
R	4,8 mm
r	2,5 mm